



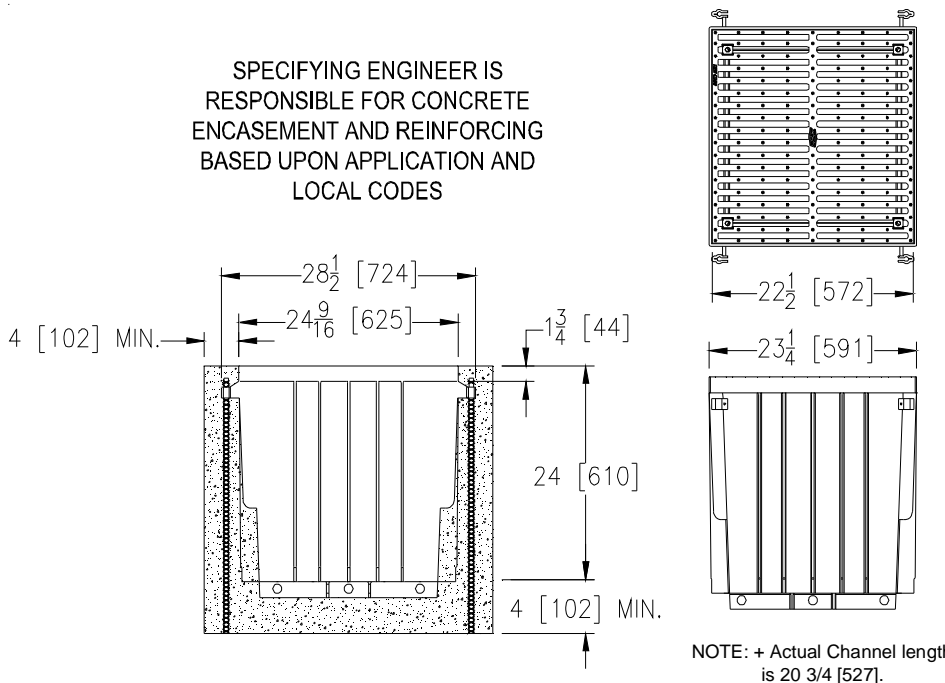
Z887-24

SPECIFICATION SHEET

23-1/4 [591] WIDE REVEAL x 24 [610] LONG CATCH BASIN

TAG _____

Dimensional Data (inches and [mm]) are Subject to Manufacturing Tolerances and Change Without Notice



ENGINEERING SPECIFICATION Zurn Z887-24 Catch Basin shall be 23-1/4 [591] wide reveal x 24-5/8 [625] long and 24 [610] deep. Catch basin shall be made of 0% water absorbent High Density Polyethylene (HDPE). Shall mechanically lock into the concrete surround. Basin shall weigh less than 20.0 lbs. [9.1 kg]. Catch basin shall have rebar clips standard to secure basin in its final location. Shall be provided with standard DGC grate. Zurn 22-1/4 [565] wide reveal Ductile Iron Slotted Grate conforming to ASTM specification A536-84, Grade 80-55-06. Ductile Iron grate is rated class C per the DIN EN1433 top load classifications. Supplied in 24 [608] nominal lengths with 11/32 [9] wide slots, and 1-1/2 [38] bearing depth. Grate has an open area of 164.00 sq. in per ft.

PREFIX OPTIONS (Check/specify appropriate options)

___ Z High Density Polyethylene (HDPE) Catch Basin*

Adapters

- ___ -E3/U3 3 [76] No-Hub End/Bottom Outlet Adapter
- ___ -E4/U4 4 [102] No-Hub End/Bottom Outlet Adapter
- ___ -E6/U6 6 [152] No-Hub End/Bottom Outlet Adapter
- ___ -IA Inlet Adapter (Z886)
- ___ -IA Inlet Adapter (Z882)

Grate Options (Load Classifications are per DIN EN1433)

- ___ -DGC Ductile Iron Slotted Grate - Class C *
- ___ -GDC Galvanized Ductile Slotted Grate - Class C
- ___ -GG Fiberglass Grate - Class A

Miscellaneous Options

- ___ -CBF Black Acid Resistant Coated Frame
- ___ -EXT 12 [305] Body Extension
- ___ -GFA Galvanized Extra-Heavy Duty Frame Assy. w/ Studs
- ___ -HD Extra-Heavy-Duty Frame Assembly w/ Anchor Studs
- ___ -SF Type 304 Stainless Steel Top Frame
- ___ -Y Sediment Bucket

MADE in the U.S.A. (Load Classifications are per DIN EN1433)

- ___ -FG Fabricated Galvanized Steel Slotted Grate - Class A
- ___ -FS Fabricated Stainless Steel Slotted Grate - Class A
- ___ -PG Galvanized Steel Perforated Grate - Class A
- ___ -PS Perforated Stainless Steel ADA Grate - Class A
- ___ -RFG-USA Reinforced Galvanized Steel Slotted Grate - Class B
- ___ -RFS-USA Reinforced Stainless Steel Slotted Grate - Class B
- ___ -RPG-USA Reinforced Galvanized Perforated ADA Grate - Class B
- ___ -RPGR Reinforced Galvanized Perforated Reverse Punch Anti-Slip ADA Grate - Class B

MADE in the U.S.A. (Load Classifications are per DIN EN1433)

- ___ -RPS-USA Reinforced Stainless Steel Perforated ADA Grate - Class B
- ___ -RPSR Reinforced Stainless Steel Perforated Reverse Punch Anti-Slip ADA Grate - Class B

Supplied By:

TRENCHDRAIN SUPPLY

877-903-7246

www.trenchdrainsupply.com

REV. L DATE: 3/15/11 C.N. NO. 121013

DWG. NO. 62253 PRODUCT NO. Z887-24

*REGULARLY FURNISHED UNLESS OTHERWISE SPECIFIED